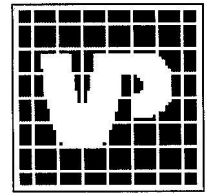




Flush Ceiling Projector Mount

For Projectors up to 50 lb (22 kg)



MODELS

Universal Models:

Includes theft resistant hardware for attaching projector to mount

PPF	Black
PPF-S	Silver
PPF-W	White

SCREEN ADAPTER



Mounting pattern

Universal Models: Up to 17.63" (448 mm)

SPECIFICATIONS



Tilt | Swivel | Roll

+30°/-5° | ±20° | ±20°



Max load

50 lb (22 kg)

Product Dimensions (W x H x D)

8.5"-17.63" x 5.6" x 8.5"-17.63"
(216-448 x 142 x 216-448 mm)

Mounting Surfaces

Wood joist, concrete

Ship Weight

4.8 lb (2.17 kg)

CERTIFICATIONS

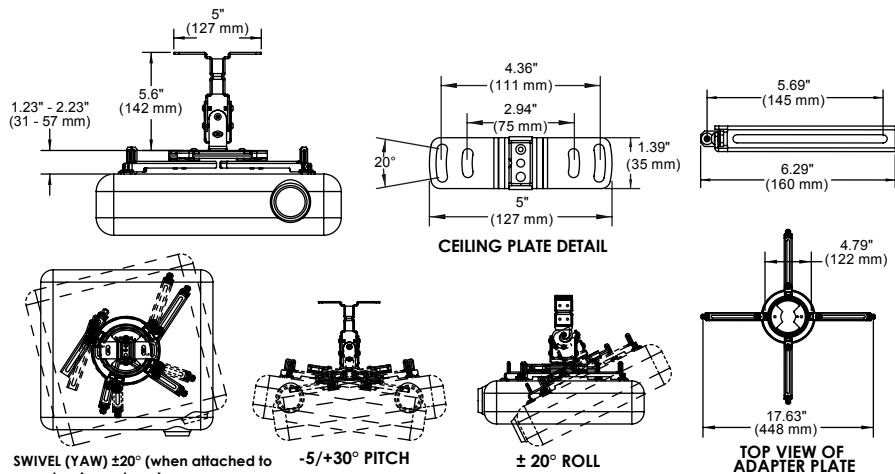


1. Spider® Universal Adapter Plate extends up 17.63" (488 mm) to fit most projector models
2. Provides full range of image adjustment:
Tilt: +30°/-5°
Roll: ±20°
Swivel: ±20°
3. Low-profile design for flush mount installations



TECHNICAL DRAWINGS

For expanded product information and technical data visit www.peerlessmounts.com



SWIVEL (YAW) ±20° (when attached to an extension column), ±15° (when flush mounted)

-5/+30° PITCH

± 20° ROLL

TOP VIEW OF ADAPTER PLATE

VISUAL PLANNING CORPORATION

OTTAWA, ON. K2C 0P8

1716 Woodward Drive, Ste. 106
Tel: 613-563-8727, Toll-Free: 888-884-5444
Fax: 613-563-8730, Toll-Free Fax: 888-884-5444
E-mail: ottawa@visualplanning.com

MONTREAL, QC. H3W 3E4

6805 Blvd. Decarie
Tel: 514-739-3116 Toll-Free: 800-361-1192
Fax: 514-739-0085 Toll-Free Fax: 888-563-8730
Email: Info@visualplanning.com

Mississauga, On. L4X 2E2

3071 Universal Drive,
Tel: 905-629-7397 Fax: 905-629-3938
Email: info@visualplanning.com

Vancouver, B.C. 800-361-1192

USA : Magnaplan Corporation

Champlain, N.Y. 1320-Route 9-3314
Tel: 518-298-8404, Fax: 518-298-2368
Burlington, N.C. 2209 Tucker St. 27215-6738
Tel: 336-228-0188 Fax: 336-227-9211
Albany, N.Y. Tel: 518-298-8404 F: 518-298-2368
For all locations: Toll-Free Tel: 800-361-1192
Email: info@visualplanning.com



To verify mount compatibility with any LCD, plasma or projector model use MountFinder™ at www.peerlessmounts.com