

FEATURES

- 1 LOW PROFILE**
Fits snugly against truss or poles for an integrated look.
- 2 PORTRAIT/LANDSCAPE CAPABILITY**
Mounts in either portrait or landscape position.
- 3 Q-LATCH® MOUNTING SYSTEM**
Flat panel secures to mount with a latching flag. Easy to connect/disconnect – no tools needed! Protect display by adding a padlock.

WHAT YOU NEED TO KNOW

ORDERING OPTIONS

Available in custom and universal.

- TPSU = Universal 37 - 61" (The Universal Interface Bracket [PSBU™] will automatically be included.)
- TPSxxxx = Custom (see MountFinder™ Pro at www.chiefmfg.com)

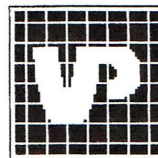
INSTALLATION RECOMMENDATION

Ideal for tradeshow environments!

SPECIFICATIONS

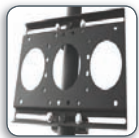
Weight Capacity 150 lbs (68 kg)

Color Black

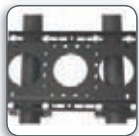


Visual Planning Corporation
 Montreal-Ottawa-Mississauga-Vancouver
 Tel: 888-884-5444 and 800-361-1192
 E-mail: ottawa@visualplanning.com or
info@visualplanning.com

RECOMMENDED ACCESSORIES

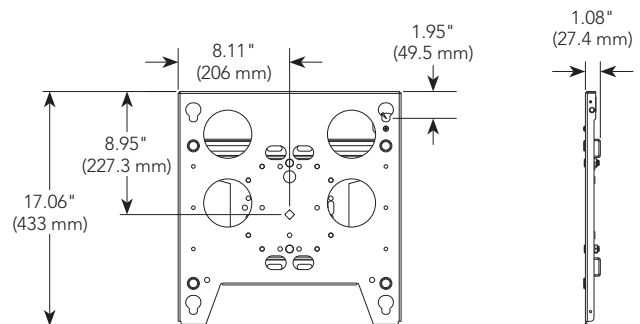


TPK1/TPK2 Pole Kits (TPK 2 shown)



TPK3/TPK4/TPK5 Truss Kits (TPK5 shown)

TECHNICAL DRAWINGS



For a complete list of flat panel mount accessories see page 83.





FEATURES

- 1 CENTRIS® FINGERTIP TILT**
Effortlessly adjust display using Centris fingertip tilt technology. Screen angle stays set until you decide to readjust.
- 2 Q-LATCH® MOUNTING SYSTEM**
Flat panel secures to mount with a latching flag. Easy to connect/disconnect – no tools needed!
- 3 PORTRAIT/LANDSCAPE CAPABILITY**
Mounts in either portrait or landscape position.



SPECIFICATIONS

Weight Capacity 150 lbs (68 kg)

Colors Black



WHAT YOU NEED TO KNOW

ORDERING OPTIONS

Available in custom and universal.

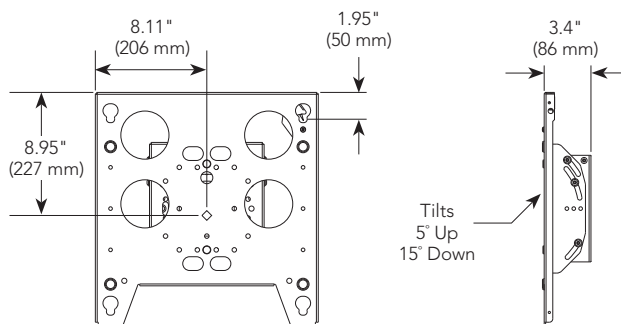
- TPMU = Universal 37 - 61" (The Universal Interface Bracket [PSBU™] will automatically be included.)
- TPMxxxx = Custom (see MountFinder™ Pro at www.chiefmfg.com)

OTHER PRODUCT OPTIONS

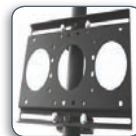


TPP
Flat Panel Tilt Truss Mount

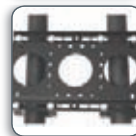
TECHNICAL DRAWINGS



RECOMMENDED ACCESSORIES



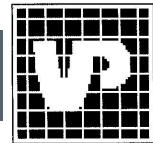
TPK1/TPK2 ■ Pole Kits (TPK 2 shown)



TPK3/TPK4/TPK5 ■ Truss Kits (TPK5 shown)

For a complete list of flat panel mount accessories see page 83.





FEATURES

- 1 CENTRIS® FINGERTIP TILT**
PATENTED FEATURE
Provides smooth fingertip tilt in all directions using the screen's center of gravity. Screen angle stays set until you decide to readjust.
- 2 PORTRAIT/LANDSCAPE CAPABILITY**
Mounts in either portrait or landscape position.
- 3 SMOOTH SWIVEL**
Smooth swivel up to 15° in any direction.
- 4 FAST HEIGHT ADJUSTMENT**
Height-adjust mount on pole for ergonomic alignment.

WHAT YOU NEED TO KNOW

ORDERING OPTIONS
Available in custom and universal.

- JPPU = VESA patterns up to 400 x 400 mm

ATTACHES TO 1.5"-2.0" DIAMETER POLES

CUSTOM INTERFACES ORDERED SEPARATELY

OTHER PRODUCT OPTIONS



KPP110™
15 - 26" Pole Mount

SPECIFICATIONS

Weight Capacity	75 lbs (34 kg)
Colors	Black, Silver



Visual Planning Corporation
 Montreal-Ottawa-Mississauga-Vancouver
 Tel: 888-884-5444 and 800-361-1192
 E-mail: ottawa@visualplanning.com or
info@visualplanning.com

COMMERCIAL APPLICATION



TECHNICAL DRAWINGS

